

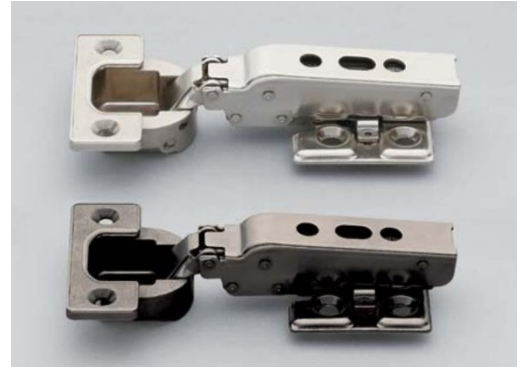
GJ95 Heavy Duty Concealed Hinge

Features

- Heavy duty concealed hinge for sheet metal or glass doors
- Strong loading allows fewer quantity of required hinges compared to normal concealed hinges, ensuring reduction in installation time and a cleaner appearance
- Simple installation and detachment with single touch
- Adjustable in various directions (depth, vertical, horizontal, tilting)
- Operating temperature: -10°C ~ 40°C

Maximum Door Weight

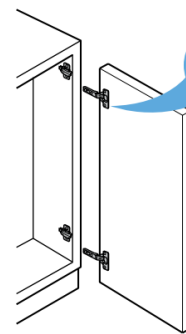
- Metal door: 25 kg with 2 pcs, 40 kg with 3 pcs
- Glass door: 25 kg with 2 pcs, 35 kg with 3 pcs



Normal Concealed Hinge
5 pcs used

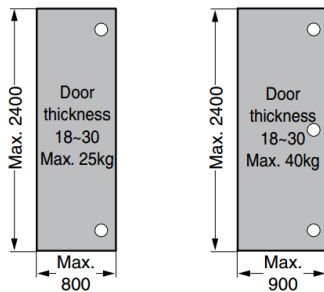


GJ95 Concealed Hinge
2 pcs used

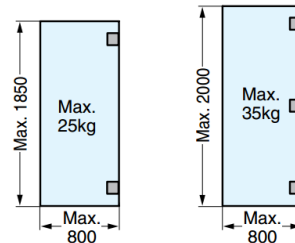


Door Dimensions and Number of Hinges

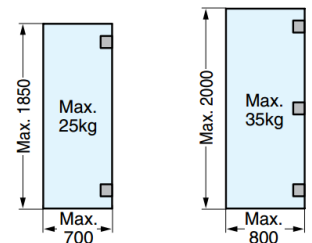
● In case of sheet metal door



● In case of glass door Glass thickness 8mm



Glass thickness 10 mm

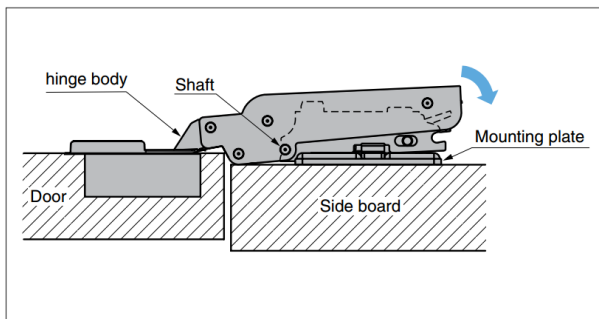


Install the upper and lower hinges within 200mm from the door end. Set equal installation pitch when using 3 pcs.

Simple Installation and Detachment by One-Touch.

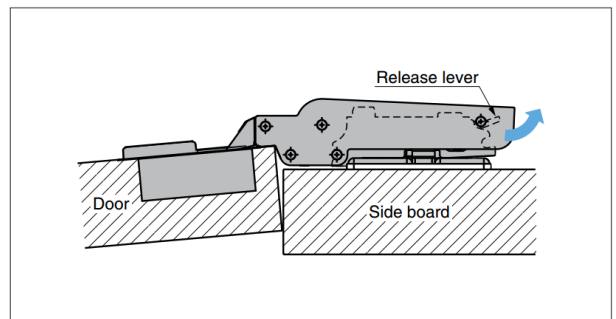
How to Install

Align shaft of hinge body with front end of mounting plate, and press down back end of hinge body until it snaps into place.



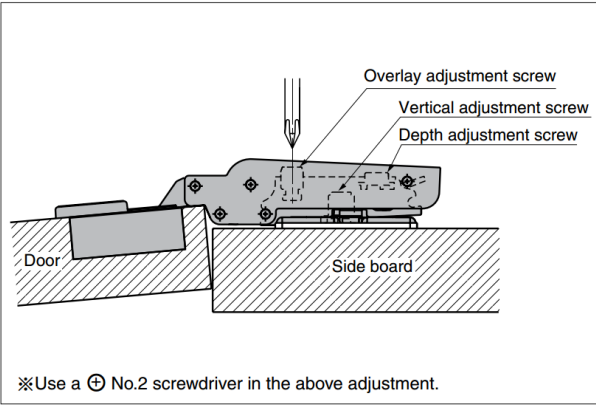
How to Detach

Push up release level in ↗ direction, and remove hinge body from mounting plate.



Check if hinge body is properly installed on mounting plate.

Easy and Fast Adjustment



With the eccentric cam mechanism, the door can be freely adjusted by only turning depth and vertical adjustment screws. Door position is easy to adjust without the need of loosening the adjustment screw, positioning and fixing. Overlay and tilting are adjustable by turning overlay adjustment screw.

Remarks

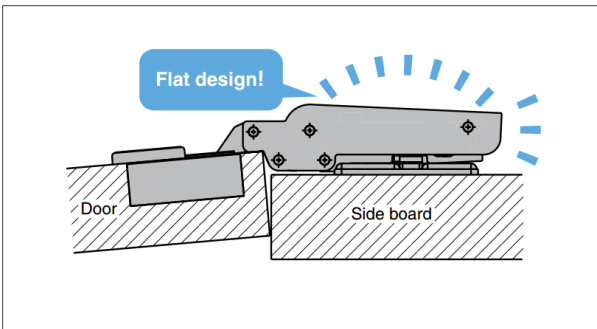
Be sure to use a manual screwdriver to fine tune adjustment screws within the adjustment range. Do not use pneumatic, electric or rechargeable screwdriver. Otherwise, the adjustment range may be exceeded and damage and malfunction of adjusting mechanism may occur.

Adjustment Directions, Amount and Method

<p>Depth adjustment</p>	<p>+1.5 mm, -2.5 mm</p> <p>Turning the depth adjustment screw counterclockwise ⤿ to move the door forwards and clockwise ⤿ to move the door backwards.</p>
<p>Vertical adjustment</p>	<p>±3 mm</p> <p>In case of right-hanging, turning the vertical adjustment screw counterclockwise ⤿ to move the door upwards and clockwise ⤿ to move the door downwards. ※In case of left-hanging, door moves in the opposite direction.</p>

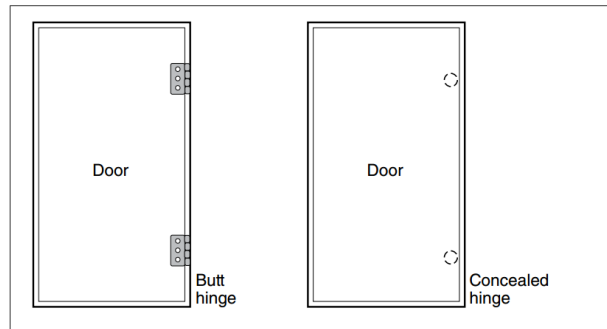
<p>Overlay adjustment (Horizontal adjustment)</p>	<p>+0 mm, -4 mm</p> <p>Turning the overlay adjustment screw clockwise ⤿ to decrease and counterclockwise ⤿ to increase the overlay.</p>
<p>Tilting Adjustment</p>	<p>-</p> <p>Turning the overlay adjustment screw counterclockwise or clockwise to adjust.</p>

Flat Design



Flat design with no projections such as adjustment screws on the top of body. It is safe because the release level does not protrude from the back of body.

Without Impairing Design



Since the hinge is not visible from outside when door is closed, it does not impair the design of cabinet.

Notes

- When using concealed hinge **GJ95** for glass and metal door, applicable door size varies.
- Door weight has priority over door size.
- Set door centre of gravity at door centre.
- Maximise the hinge installation pitch, set equal installation pitch when using 3 pcs. Also, the warpage of door shall be considered.
- Door dimensions and number of hinges are for reference only.
- Lubricate regularly during use.
- Watch your hands during handling before door installation.
- Do not repeatedly open and close with a single concealed hinge before installation. Otherwise, it may be damaged.
- Scattering prevention film is recommended for tempered glass.

GJ95-25T Heavy Duty Concealed Hinge

95° opening · 25 mm overlay · Overlay 21 ~ 25 mm (when bore distance is 8 mm)
Door thickness 18 ~ 30 mm · Glass thickness 8, 10 mm

Features

- Passed 40,000 life cycle test

Sold Separately

- Mounting plate **GJ95-P6T**
- Face plate for glass door **GGH-J95FP**
- Safety cover **GJ95SC-25GR**
- Cover for mounting plate **GJ95ZC-GR**

Recommended Screws

- M5 countersunk head screw, M5 raised countersunk head screw



Above picture shows concealed hinge + mounting plate (sold separately)

Part No.	Type	Material	Finish
GJ95-24/25T	Without Catch	Body: Steel Cup: Zinc Alloy (ZDC)	Nickel
GJ95-C24/25T	With Catch		
GJ95-24/25T-BN	Without Catch		Black Nickel
GJ95-C24/25T-BN	With Catch		

Necessary Parts

In case of sheet metal door

In case of glass door



- Concealed hinge
- Mounting plate (page 12)

- Face plate for glass door (page 14)

Optional Parts

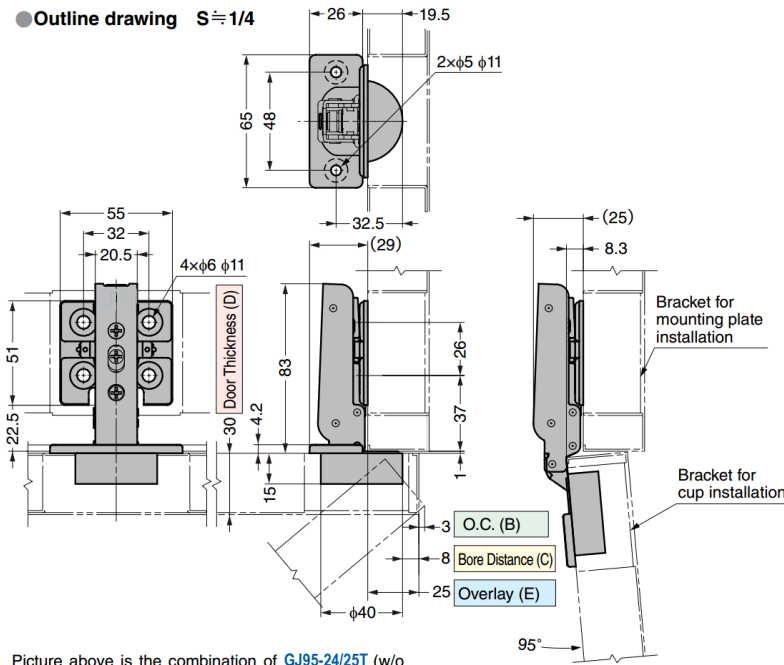


- Safety cover (page 13)

- Cover for mounting plate (page 12)

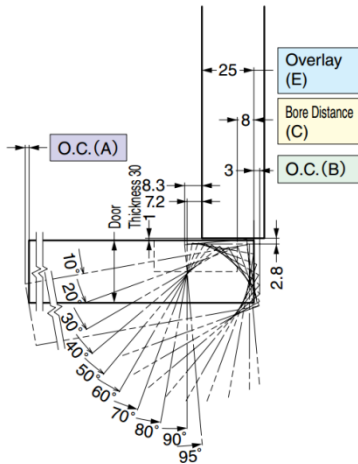
Sheet Metal Door Installation

● Outline drawing S ≅ 1/4

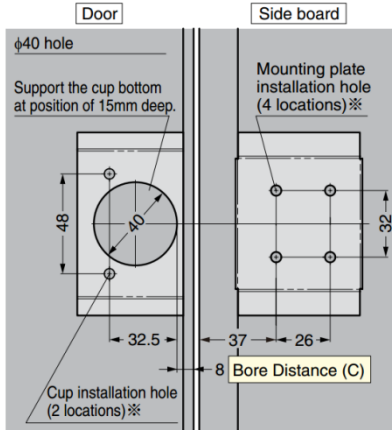


Picture above is the combination of GJ95-24/25T (w/o catch) or GJ95-C24/25T (w/catch) and mounting plate GJ95-P6T (sold separately).

● Locus chart S ≅ 1/4



● Cut Out Dimensions



※Internal threads need to be made by welding nut or burring.

[Bore Distance (C)]

Table-1

Bore Distance (C)	3	4	5	6	7	8
Overlay (E)	20	21	22	23	24	25

Overlay adjustment (Max. -4mm) by turning the Overlay adjustment screw.

[Opening Clearance (O.C.)]

Clearances for door edge O.C. (A) and hinge side O.C. (B) are necessary. O.C. (A) and (B) change depending on door thickness and bore distance (C). Refer to locus chart and tables below when designing cabinets.

[O.C.(B)]

Table-2

Door Thickness (D)	Bore Distance (C)					
	3	4	5	6	7	8
18	0.3	0.3	0.3	0.3	0.3	0.3
20	0.5	0.5	0.5	0.5	0.5	0.5
22	0.8	0.8	0.8	0.7	0.7	0.7
24	1.1	1.1	1.1	1.1	1.1	1.0
26	1.7	1.6	1.6	1.5	1.5	1.5
28	3.2	2.8	2.5	2.2	2.1	2.0
30	5.0	4.5	4.0	3.6	3.3	3.0
32※	6.8	6.2	5.7	5.2	4.8	4.4
34※	8.6	8.0	7.5	6.9	6.5	6.0
O.C. (B)						

※Please refer to the locus chart if door thickness is over 30 mm. O.C. (B) can be made smaller by R chamfering (round chamfer) or C chamfering (chamfer plane) on the door

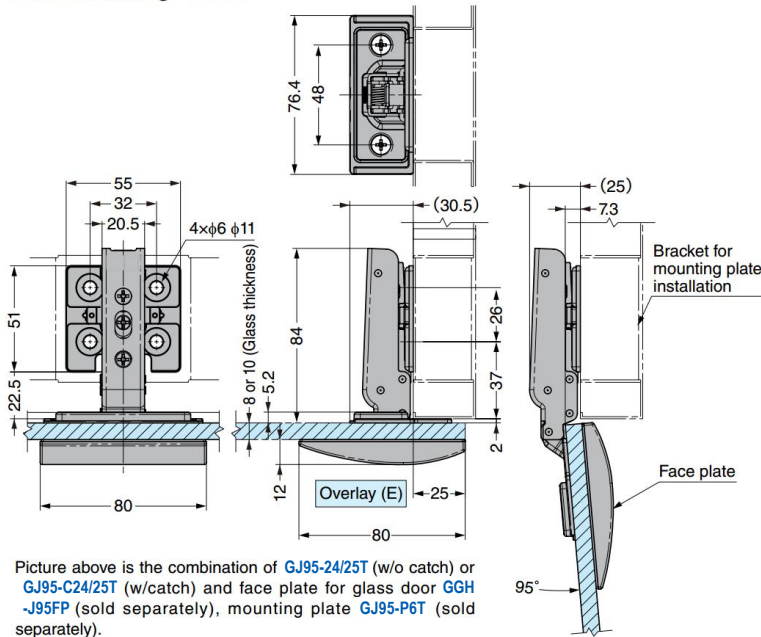
[O.C.(A)]

Table-3

Door Thickness (D)	Door Width						
	300	400	500	600	700	800	900
30	0.5	0.3	0.3	0.2	0.2	0.2	0.2
O.C. (A)							

Glass Door Installation

● Outline drawing S ≐ 1/4

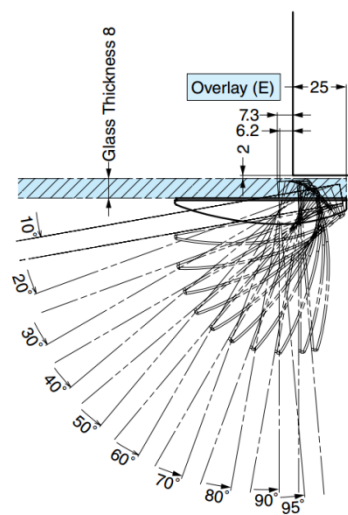


Picture above is the combination of GJ95-24/25T (w/o catch) or GJ95-C24/25T (w/catch) and face plate for glass door GGH-J95FP (sold separately), mounting plate GJ95-P6T (sold separately).

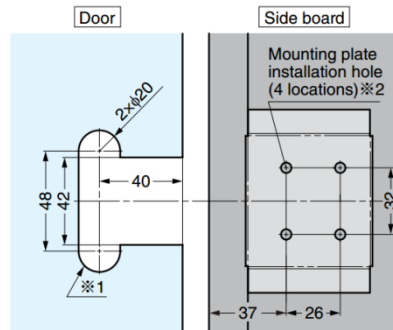
[Opening Clearance (O.C.)]

When using a concealed hinge, although door edge O.C.(A) and hinge side O.C.(B) are required, but for glass door, hinge side O.C.(B) is 0 (zero) because the door thickness (glass thickness) is much thinner than that of the wooden door. Besides, O.C.(A) is identical to Table-3

● Locus chart S ≐ 1/4



● Cut out dimensions



※1: Use tempered glass. Scattering prevention film is recommended.

※2: Internal threads need to be made by welding nut or burring.

GJ95-16T Heavy Duty Concealed Hinge

95° opening · 16 mm overlay · Overlay 12 ~ 16 mm (when bore distance is 8 mm)
Door thickness 18 ~ 30 mm · Glass thickness 8, 10 mm

Features

- Passed 40,000 life cycle test

Sold Separately

- Mounting plate **GJ95-P6T**
- Face plate for glass door **GGH-J95FP**
- Safety cover **GJ95SC-16GR**
- Cover for mounting plate **GJ95ZC-GR**

Recommended Screws

- M5 countersunk head screw, M5 raised countersunk head screw



Above picture shows concealed hinge + mounting plate (sold separately)

Part No.	Type	Material	Finish
GJ95-24/16T	Without Catch	Body: Steel Cup: Zinc Alloy (ZDC)	Nickel
GJ95-C24/16T	With Catch		
GJ95-24/16T-BN	Without Catch		Black Nickel
GJ95-C24/16T-BN	With Catch		

Necessary Parts

In case of
sheet metal door

In case of glass door



- Concealed hinge
- Mounting plate (page 12)

- Face plate for glass door (page 14)

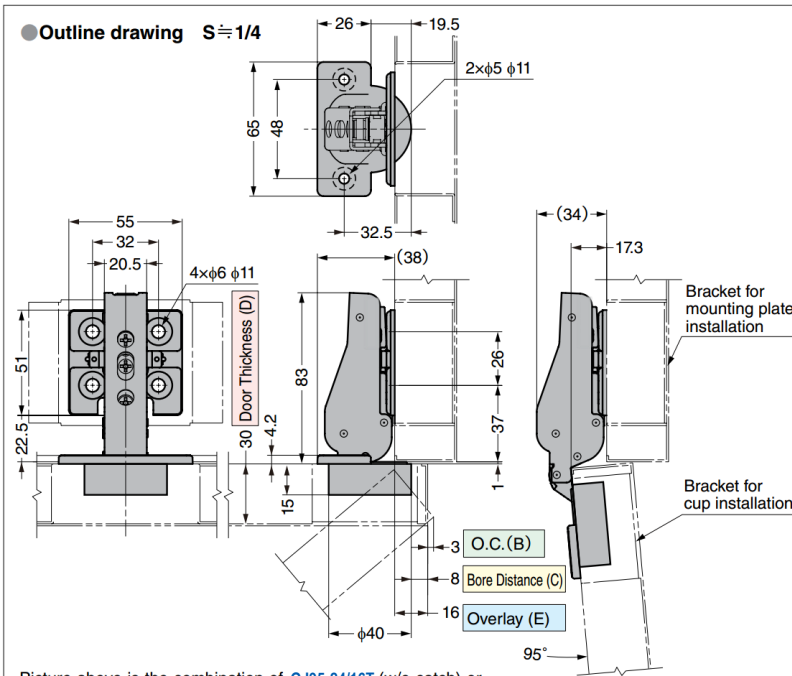
Optional Parts



- Safety cover (page 13)

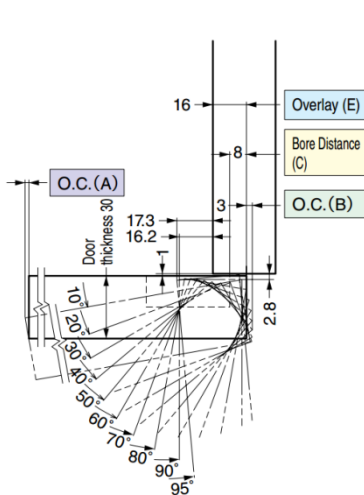
- Cover for mounting plate (page 12)

Sheet Metal Door Installation

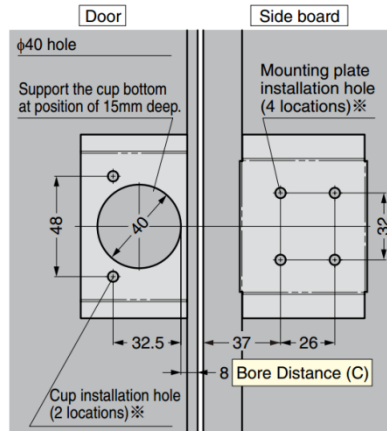


Picture above is the combination of **GJ95-24/16T** (w/o catch) or **GJ95-C24/16T** (w/catch) and mounting plate **GJ95-P6T** (sold separately).

● **Locus chart** S ≙ 1/4



● **Cut out dimensions**



※ Internal threads need to be made by welding nut or burring.

[Bore Distance (C)]

Table-1

Bore Distance (C)	3	4	5	6	7	8
Overlay (E)	11	12	13	14	15	16

Overlay adjustment (Max. -4 mm) by turning the Overlay adjustment screw.

[Opening Clearance (O.C.)]

Clearances for door edge O.C. (A) and hinge side O.C. (B) are necessary. O.C. (A) and (B) change depending on door thickness and bore distance (C). Refer to locus chart and tables below when designing cabinets.

[O.C.(B)]

Table-2

Door Thickness (D)	Bore Distance (C)					
	3	4	5	6	7	8
18	0.3	0.3	0.3	0.3	0.3	0.3
20	0.5	0.5	0.5	0.5	0.5	0.5
22	0.8	0.8	0.8	0.7	0.7	0.7
24	1.1	1.1	1.1	1.1	1.1	1.0
26	1.7	1.6	1.6	1.5	1.5	1.5
28	3.2	2.8	2.5	2.2	2.1	2.0
30	5.0	4.5	4.0	3.6	3.3	3.0
32※	6.8	6.2	5.7	5.2	4.8	4.4
34※	8.6	8.0	7.5	6.9	6.5	6.0

O.C. (B)

※Please refer to the locus chart if door thickness is over 30 mm. O.C. (B) can be made smaller by R chamfering (round chamfer) or C chamfering (chamfer plane) on the door)

[O.C.(A)]

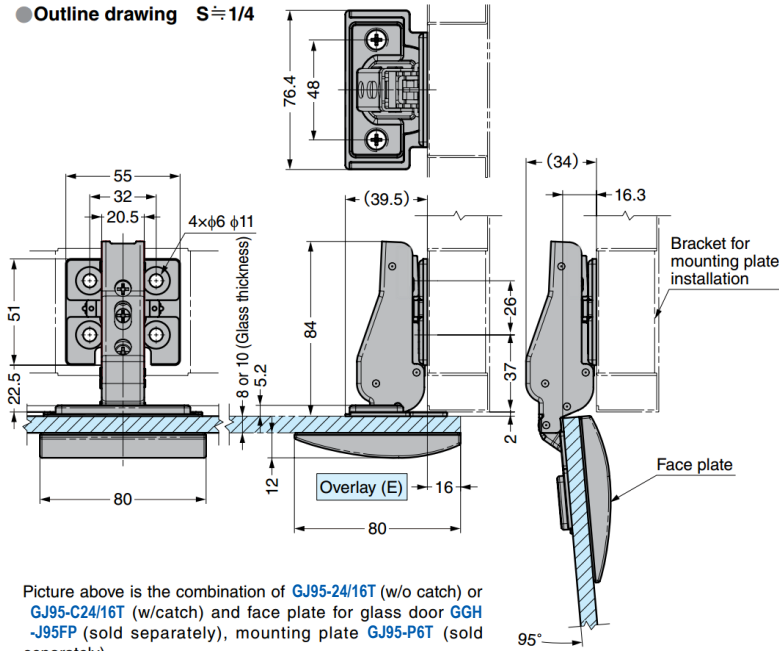
Table-3

Door Thickness (D)	Door Width						
	300	400	500	600	700	800	900
30	0.5	0.3	0.3	0.2	0.2	0.2	0.2

O.C. (A)

Glass Metal Door Installation

● Outline drawing S ≐ 1/4

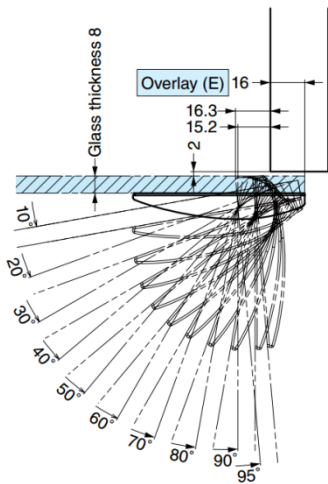


Picture above is the combination of GJ95-24/16T (w/o catch) or GJ95-C24/16T (w/catch) and face plate for glass door GGH-J95FP (sold separately), mounting plate GJ95-P6T (sold separately).

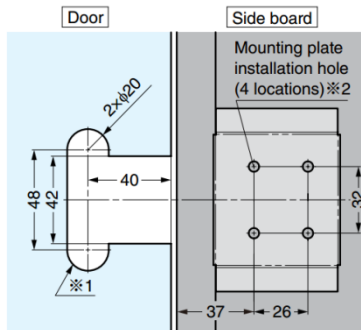
[Opening Clearance (O.C.)]

When using a concealed hinge, although door edge O.C.(A) and hinge side O.C.(B) are required, but for glass door, hinge side O.C.(B) is 0 (zero) because the door thickness (glass thickness) is much thinner than that of the wooden door. Besides, O.C.(A) is identical to Table-3

● Locus chart S ≐ 1/4



● Cut out dimensions



- ※1: Use tempered glass. Scattering prevention film is recommended.
- ※2: Internal threads need to be made by welding nut or burring.

GJ95-0T Heavy Duty Concealed Hinge

93° Opening · Inset

Door thickness 18 ~ 30 mm · Glass thickness 8, 10 mm

Features

- Passed 40,000 life cycle test

Sold Separately

- Mounting plate **GJ95-P6T**
- Face plate for glass door **GGH-J95FP**
- Safety cover **GJ95SC-0GR**
- Cover for mounting plate **GJ95ZC-GR**

Recommended Screws

- M5 countersunk head screw, M5 raised countersunk head screw



Above picture shows concealed hinge + mounting plate (sold separately)

Part No.	Type	Material	Finish
GJ95-24/0T	Without Catch	Body: Steel Cup: Zinc Alloy (ZDC)	Nickel
GJ95-C24/0T	With Catch		
GJ95-24/0T-BN	Without Catch		Black Nickel
GJ95-C24/0T-BN	With Catch		

Necessary Parts

In case of sheet metal door



In case of glass door



- Concealed hinge
- Mounting plate (page 12)
- Face plate for glass door (page 14)

Optional Parts



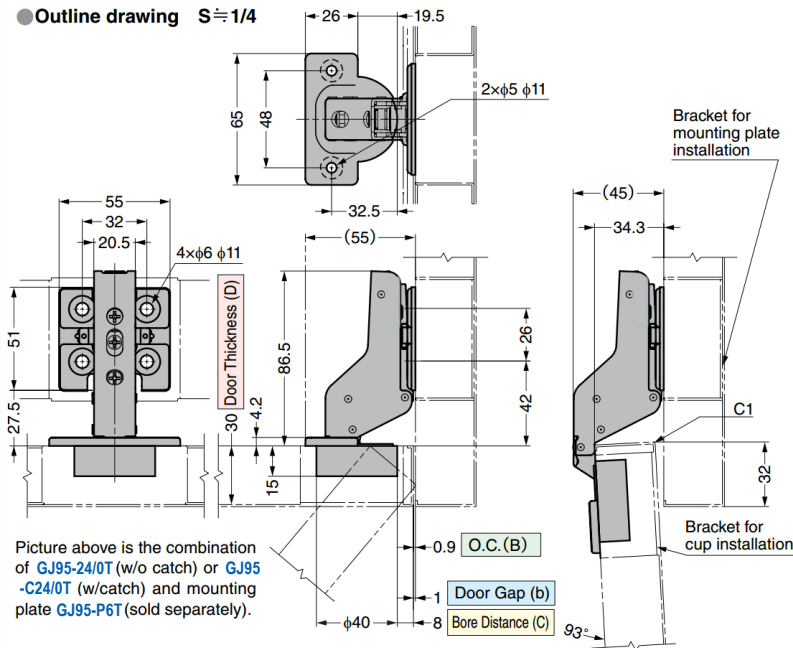
● Safety cover (page 13)



● Cover for mounting plate (page 12)

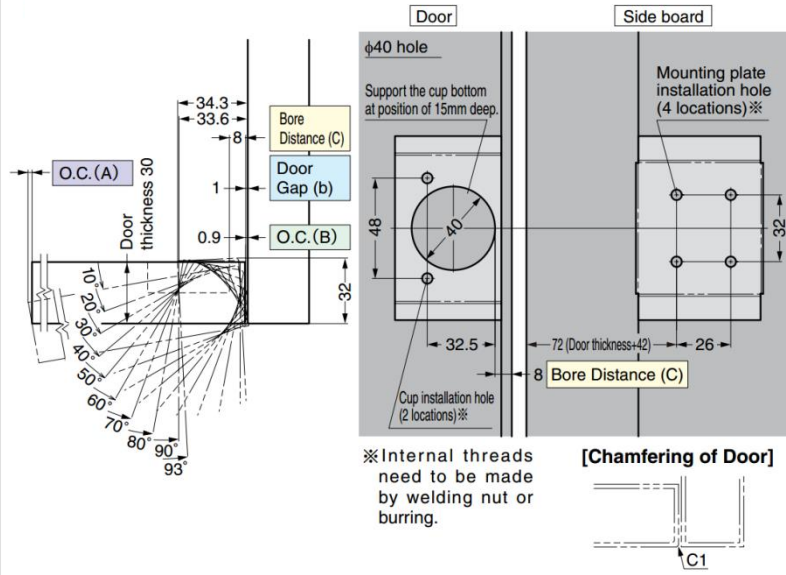
Sheet Metal Door Installation

● Outline drawing S ≐ 1/4



● Locus chart S ≐ 1/4

● Cut out dimensions



[Bore Distance (C)]

Table-1

Bore Distance (C)	3	4	5	6	7	8
Door Gap (b)	6	5	4	3	2	1

Door gap can be adjusted by turning the overlay adjustment screw.

[Opening Clearance (O.C.)]

Clearances for door edge O.C. (A) and hinge side O.C. (B) are necessary. O.C. (A) and (B) change depending on door thickness and bore distance (C). Refer to locus chart and tables below when designing cabinets.

[O.C. (B)]

Table-2

Door Thickness (D)	Bore Distance (C)					
	3	4	5	6	7	8
18	0	0	0	0	0	0
20	0	0	0	0	0	0
22	0.1	0.1	0.1	0.1	0	0.1
24	0.1	0.1	0.1	0.1	0.1	0.1
26	0.3	0.3	0.3	0.3	0.3	0.3
28	1.7	1.1	0.6	0.5	0.5	0.5
30	3.5	2.9	2.3	1.8	1.0	0.9
32※	5.4	4.7	4.1	3.6	3.0	2.5
34※	7.3	6.6	6.0	5.4	4.8	4.3

O.C. (B)

※ Please refer to the locus chart if door thickness is over 30 mm. O.C. (B) can be made smaller by R chamfering (round chamfer) or C chamfering (chamfer plane) on the door.

[O.C. (A)]

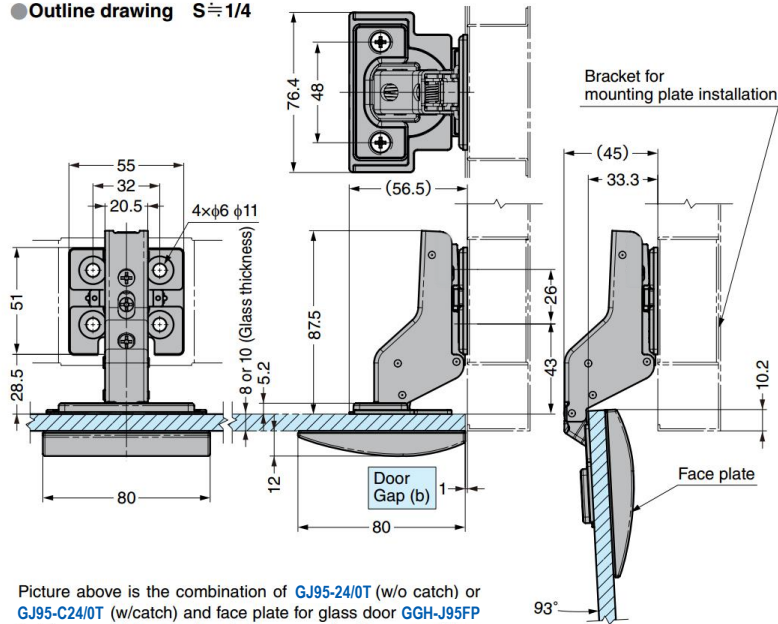
Table-3

Door Thickness (D)	Door Width						
	300	400	500	600	700	800	900
30	0.9	0.6	0.5	0.4	0.4	0.3	0.3

O.C. (A)

Glass Metal Door Installation

● Outline drawing $S \div 1/4$

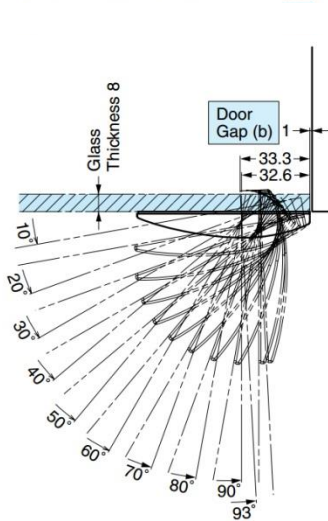


Picture above is the combination of GJ95-24/0T (w/o catch) or GJ95-C24/0T (w/catch) and face plate for glass door GGH-J95FP (sold separately), mounting plate GJ95-P6T (sold separately).

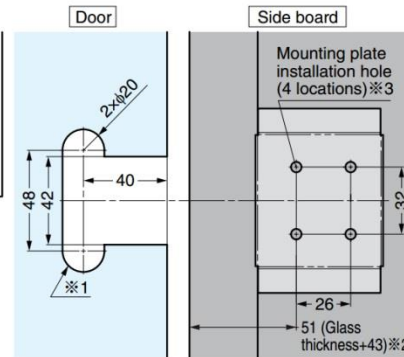
[Opening Clearance (O.C.)]

When using a concealed hinge, although door edge O.C.(A) and hinge side O.C.(B) are required, but for glass door, hinge side O.C.(B) is 0 (zero) because the door thickness (glass thickness) is much thinner than that of the wooden door. Besides, O.C.(A) is identical to Table-3

● Locus chart $S \div 1/4$



● Cut out dimensions



- ※1: Use tempered glass. Scattering prevention film is recommended.
- ※2: The size is 53 when using 10mm thick glass door.
- ※3: Internal threads need to be made by welding nut or burring.

GJ95-P6T Mounting Plate

Features

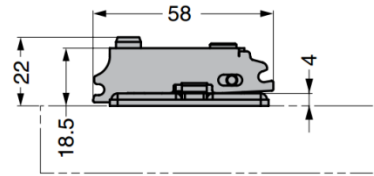
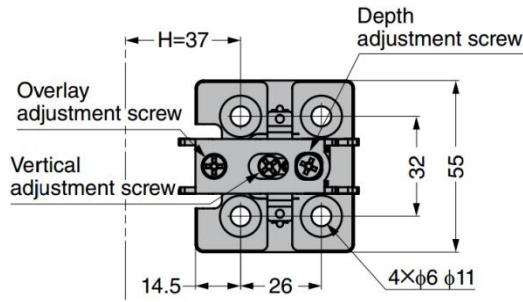
- Mounting plate for heavy duty concealed hinge **GJ95**
- Depth adjustment: +1.5, -2.5 mm
- Vertical adjustment: ± 3 mm
- Overlay (horizontal) adjustment: +0, -4 mm
- Value of H: Door thickness +42 mm in use of Inset type

Notes

- Cover for mounting plate **J95ZC-GR** sold separately

Recommended Screws

- Size 5 countersunk head, or raised countersunk head tapping screw or wood screw



Part No.	Material	Finish
GJ95-P6T	Steel / Zinc Alloy (ZDC)	Nickel
GJ95-P6T-BN		Black Nickel

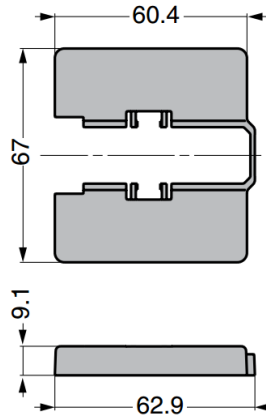
GJ95ZC Cover for Mounting Plate

Features

- For hiding screw holes of mounting plate
- Mounting plate adjustable horizontally, vertically and in depth even after installation

Notes

- Do not bend by force

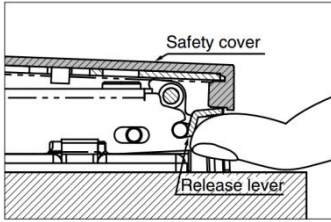


Part No.	Material	Finish
GJ95ZC-GR	ABS	Grey
GJ95ZC-NI		Nickel

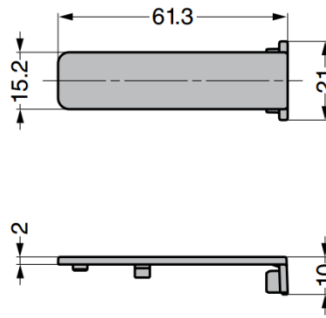
GJ95SC-25 Safety Cover

Features

- For hiding screw holes of 25 mm overlay heavy duty concealed hinge **GJ95-25T**



Safety cover can lock the release lever of **GJ95** body, preventing door from falling-off due to misoperation.

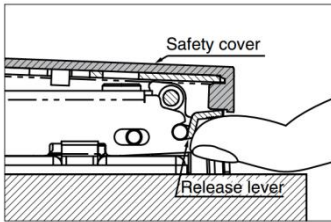


Part No.	Material	Finish
GJ95SC-25GR	ABS	Grey
GJ95SC-25NI		Nickel

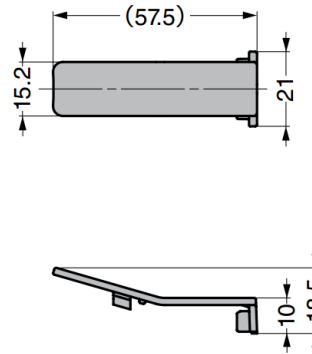
GJ95SC-16 Safety Cover

Features

- For hiding screw holes of 16 mm overlay heavy duty concealed hinge **GJ95-16T**



Safety cover can lock the release lever of **GJ95** body, preventing door from falling-off due to misoperation.

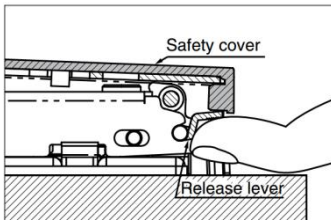


Part No.	Material	Finish
GJ95SC-16GR	ABS	Grey
GJ95SC-16NI		Nickel

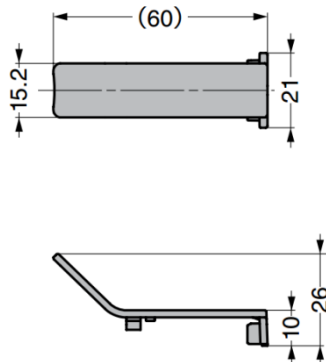
GJ95SC-0 Safety Cover

Features

- For hiding screw holes of inset heavy duty concealed hinge **GJ95-0T**



Safety cover can lock the release lever of **GJ95** body, preventing door from falling-off due to misoperation.



Part No.	Material	Finish
GJ95SC-0GR	ABS	Grey
GJ95SC-0NI		Nickel

GGH-J95FP Face Plate for Glass Door

Features

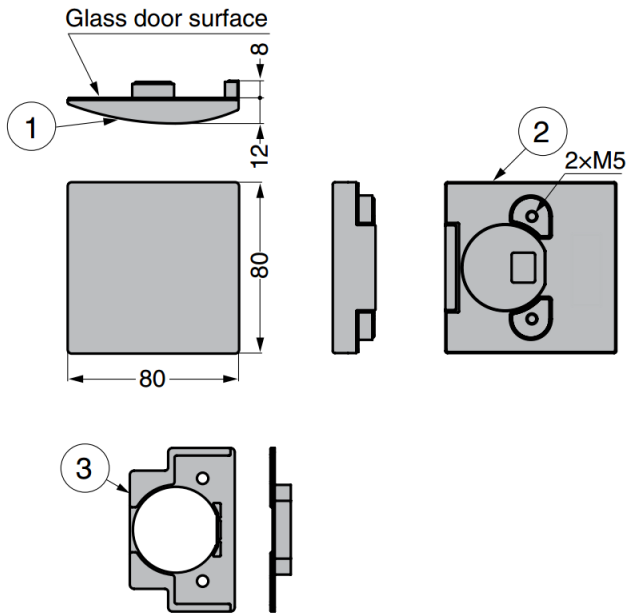
- For installing GJ95 concealed hinge to glass door

Notes

- Use supplied screws and tighten with 1.5 N.m or more for installation

Parts Included

- Countersunk head screw M5×18



No.	Part Name	Material	Finish/Colour
①	Face Plate	Zinc Alloy (ZDC)	Chrome/Satin Nickel
②	Face Plate Spacer	POM	Black
③	Socket Spacer		

Part No.	Material	Finish
GGH-J95FP-CR	Zinc Alloy	Chrome
GGH-J95FP-SN		Satin Nickel



Japanese traditional pattern face plate also available on request